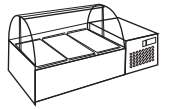




unis

European designed and made.



RHEIN



Rhein

refrigerated table top display



CONVENIENT FOOD SOLUTIONS

Rhein



Rhein

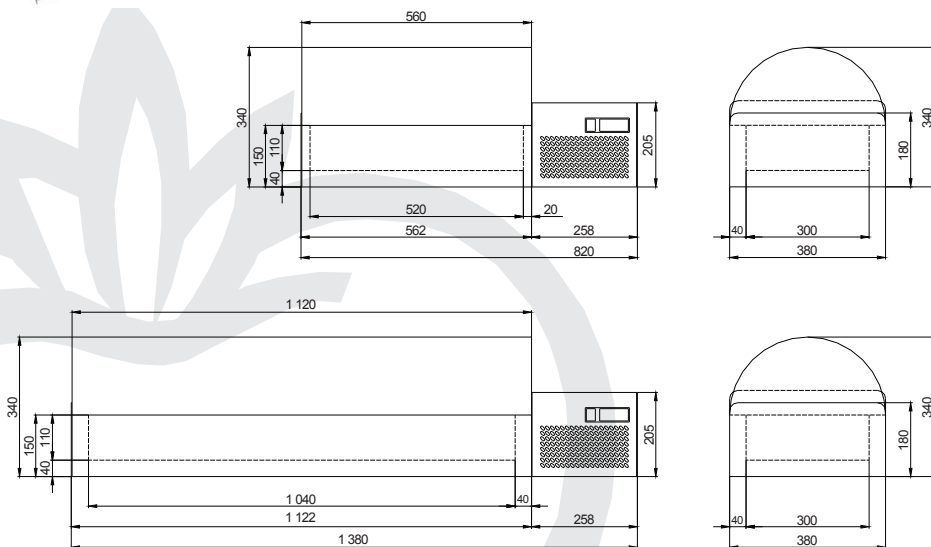
The Rhein cooling refrigerated table top display is a unit that can be used in cafes, restaurants, hotels and service stations. Ideal for both displaying and storing food prior to preparation, making sandwiches, wraps and rolls, plating meals and pizzas; the Rhein provides you with an easy to use, compact and attractive option.

Designed and manufactured in Europe, the stainless steel unit simply plugs into the wall. The cooling unit can be placed on either the right or left hand side of the unit and it comes with or without a removable clear cover.

Available in 3 tray or 6 tray model.

Construction & Technical characteristics

- adjustable feet
- static cooling
- electronic control of the unit
- automatic defrosting and evaporation of condensed water
- refrigerant R 404a
- bath foamed up with polyurethane CFC free with density 40kg/m³
- stainless steel AISI 304 (18/8)
- temperature range: +2/+8°C
- max depth of containers 100mm
- voltage 230 V/50 Hz/1Ph
- upper acrylic cover glass and GN - containers are not included in the unit price of the case



E Rhein

Model	Dimensions	GN	Power input	Temperature	Weight
100	820 × 380 × 340 (205)	3 × GN1/3	260 W/-10°C	+2/+8 °C	28 kg
140	1380 × 380 × 340 (205)	6 × GN1/3	260 W/-10°C	+2/+8 °C	36 kg

* top acrylic glass (by model 140 – 2 PCs necessary)



Rhein

refrigerated table top display



Ph: 1800 265 771

PO Box 923, Croydon, VIC, 3136, Australia
www.perfectfry.com.au